

# PowerStar

electric tankless water heaters

---



## PowerStar AE3.4; AE7.2; AE9.5; AE12

PowerStar point-of-use tankless water heaters are designed to provide an endless supply of hot water for kitchen, bathroom and hand-washing sinks. There are four under-sink models to choose from (dependent on desired temperature rise and flow rates). Common applications include: homes, offices, warehouses, service stations, stores and concession stands.

**Endless hot water for  
one sink at a time.**



### FEATURES

- 99% efficient
- 5-year warranty on heat exchanger – 1 year on parts
- Saves space
- Installs vertically or horizontally (Model AE12 only installs horizontally)
- All models must be hardwired
- Solid copper heat exchanger, copper-sheathed elements and tough plastic housing
- High/low kW settings possible within most models
- No temperature/pressure relieve valve necessary (check local codes)
- Model AE12 has thermostatic adjustable control



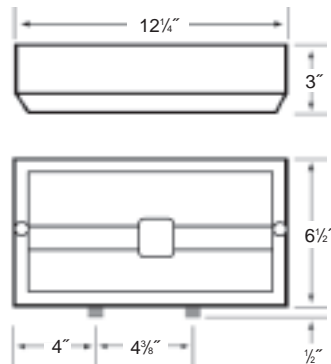
# PowerStar AE3.4; AE7.2; AE9.5; AE12

## Specifications

| ELECTRICAL REQUIREMENTS  |                                    |         |         |         |
|--|------------------------------------|---------|---------|---------|
| MODEL  | AE3.4                              | AE7.2   | AE9.5   | AE12    |
| Voltage  | 120/110                            | 240/220 | 240/208 | 240/208 |
| Amperage   | 29                                 | 30      | 40      | 50      |
| Kilowatts  | 3.4                                | 7.2     | 9.5     | 12      |
| Wire Size  | 10 GA                              | 10 GA   | 8 GA    | 6 GA    |
| MAXIMUM FLOW RATE AT GIVEN TEMPERATURE RISE<br>Average ground water temperature in the United States is 55°F |                                    |         |         |         |
| Degree Rise @ 0.5 gpm  | 41°F                               | -       | -       | -       |
| Degree Rise @ 0.75 gpm   | 28°F                               | 63°F    | 84°F    | 70°F    |
| Degree Rise @ 1 gpm  | 20°F                               | 48°F    | 64°F    | 65°F    |
| Degree Rise @ 1.5 gpm  | -                                  | 32°F    | 42°F    | 55°F    |
| TECHNICAL SPECIFICATIONS   |                                    |         |         |         |
| Efficiency   | 99% (all models)                   |         |         |         |
| Weight   | 6 lbs. (all models)                |         |         |         |
| Dimensions   | 12 1/4" x 6 1/2" x 3" (all models) |         |         |         |
| Water Fittings   | 1/2" male NPT (all models)         |         |         |         |

### The right size for you

PowerStar point-of-use water heaters come in four models to serve a wide range of applications. Finding the right model depends upon your desired temperature and flow rate. Use the chart above to find the model best suited to your needs. Flow controls and faucet aerators can greatly enhance performance.



PowerStar installation.

Applied Energy, formerly Redring, has manufactured electric tankless water heaters for more than 40 years, including the PowerStar models.

Bosch Water Heating  
 340 Mad River Park, Waitsfield, VT 05673 USA  
 Toll-free: 866-642-3198 • Fax: 802-496-6924  
 email: sales@bbtina.com  
 website: www.boschhotwater.com